



Weblink
121

2700 Colorado Building, Santa Monica, California, USA. Architect: Frederick Fischer & Partners Architects. Photo: Henry Cabala Photography

Design
Poul Henningsen

Concept
PH 4/3 Pendant (1966) provides a primarily downward illumination. PH 4/3 is based on the principle of a reflecting multi-shade system, creating a harmonious and glare free illumination. The shades are drawn over a logarithmic spiral, with the center of the light source placed in the spiral's focal point.

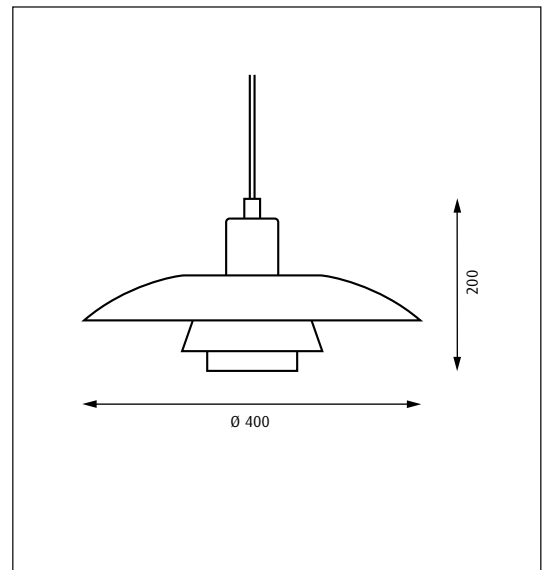
Finish
White, wet painted.

Material
Shades: Spun aluminium.

Mounting
Canopy: White. Cord type: 3-conductor, 18 AWG PVC power cord. Cord color: Aluminum version: Black cord or white version: white cord. Cord length: 12'.

Weight
Max. 2 lbs.

Label
cUL, Dry location. IBEW.



Product code	Light source	Voltage	Finish
PH4/3-P	1/100W/A-19/IF medium	120V	WHT

Info notes:
I. The white variants provided with orange lamp compartment and anti-glare shield.
II. The comparable EU version has the following classification: Ingress Protection Code: IP20.



White



Aluminum



Page 126